

GV-SD220-S (20x / 30x) PoE Outdoor Full HD IP Speed Dome



- 1/2.8" progressive scan CMOS sensor
 - Full HD 1080p at up to 30 fps and 720p at up to 60 fps
 - 20x / 30x optical zoom and 12x digital zoom
 - Wide Dynamic Range Pro (WDR Pro)
 - Day and night function with IR-cut filter
 - 2-way audio
 - Vandal resistance (IK10 for metal and polycarbonate casing)
 - Ingress protection (IP67)
 - Built-in micro SD card slot (SD/SDHC) for local storage
 - 4 digital inputs, 1 relay output
 - DC 24V / AC 24V / High PoE (PoE++, 60 W)
 - Pan 360° endlessly
 - Tilt from 0° to 180°
 - Preset speed at up to 460° /sec
 - PTZ movement (Preset, Sequence, Auto Pan, Cruise and Tour)
 - PTZ movements by schedule
 - Auto and manual PTZ calibration
 - Auto focus
 - Backlight Compensation
 - Image noise reduction
 - Motion detection
 - Privacy Mask
 - Dual streams from H.264 and MJPEG
 - Smart phones & 3GPP support
 - 31 languages on Web interface
 - ONVIF (Profile S) conformant
- * No memory card slot & local storage function for Argentina

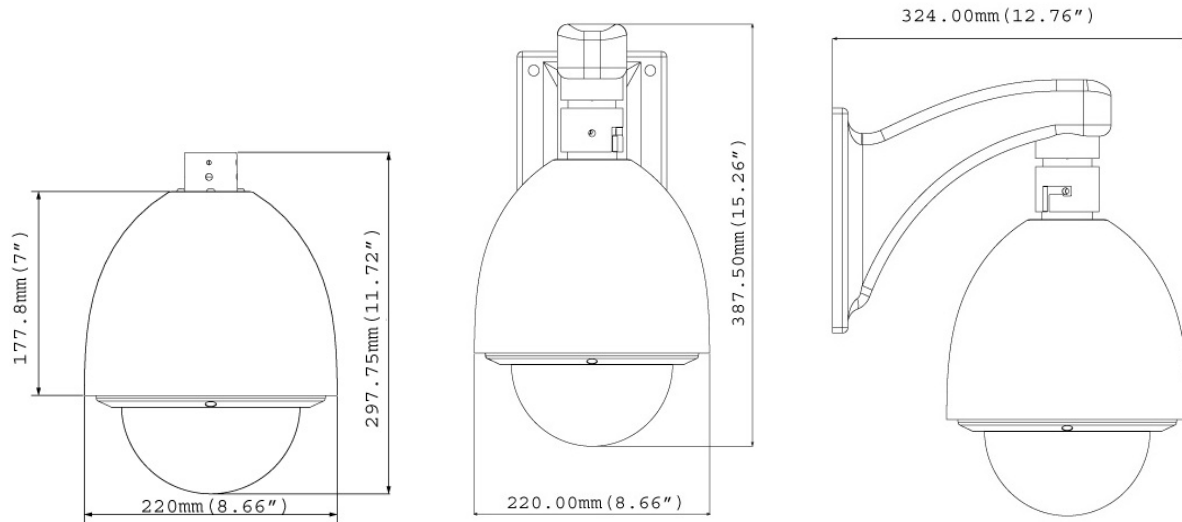
Introduction

The GV-IP Speed Dome (GV-SD220-S) is a network PTZ camera designed for image quality and adaptability in various environments. This camera offers image of 1080p at 30 fps, 720p at 60 fps and 20x / 30x optical zoom, capable of showing smooth live view with great detail. In low-light environments, image quality is promised with its image processing tools, such as IR-cut filter (ICR), Wide Dynamic Range Pro (WDR Pro), Backlight Compensation and noise reduction.

Wide surveillance coverage is made possible with 360° endless panning and 180° tilting capacity. Dome movements such as Preset, Sequence, Auto Pan, Cruise and Tour can be programmed and activated by schedule. You can create multiple dome movement modes and have different modes enabled at different time slots. The GV-IP Speed Dome provides variable pan/tilt speeds ranging from a fast patrol of 460° per second to a slow ramble of 0.5° per second with 0.2° pan accuracy for fast and accurate tracking ability.

The GV-IP Speed Dome comes with an indoor model, an outdoor model and also optional mounting kits for outdoor installations on wall, ceiling and pole.

Dimensions



Specifications

Camera		
Image Sensor	1/2.8" progressive scan CMOS	
Optical Zoom	20x / 30x	
Digital Zoom	12x	
Picture Elements	1920 (H) x 1080 (V)	
Minimum Illumination	Color	0.05 Lux at F/1.6
	B/W	0.005 Lux at F/1.6
Electronic Shutter	1/1 ~ 1/10000 sec.	
White Balance	Auto / Manual	
Iris Control	Auto / Manual	
AGC control	Auto / Manual	
S/N Ratio	50 dB (AGC Off)	
WDR Pro	Yes (with WDR sensor)	
Dynamic Range	Up to 100 dB	
Optical Lens		
Megapixel	Yes	
Day / Night	Yes (with removable IR-cut filter)	
Focal Length	20x	4.7 ~ 94 mm
	30x	4.3 ~ 129 mm
Operation	Focus	Auto / Manual
	Zoom	20x / 30x
	Iris	Auto / Manual
Video		
Video Compression	H.264, MJPEG	
Video Streaming	Dual streams	
Video Resolution	16:9	1920 x 1080, 1280 x 720, 640 x 360, 448 x 252
Frame Rate	30/25 fps (60/50 Hz) at 1920 x 1080 60/50 fps (60/50 Hz) at 1280 x 720	
Audio		
Audio Compression	G.711, AAC (optional)	
Audio Support	Two-way Audio	
Network		
Interface	10/100M Ethernet	
Protocol	DHCP, DynDNS, FTP, HTTP, HTTPS, NTP, ONVIF (Profile S), QoS (DSCP), RTSP, SMTP, SNMP, TCP, UDP, UPnP, 3GPP/ISMA	

Mechanical		
Temperature Detector		Yes
Connectors	Power	DC Jack, PoE
	Ethernet	10/100 Base-T, RJ-45 connector
	Audio	1 in (RCA female for microphone); 1 out (RCA female for speaker)
	Local Storage	Micro SD card slot (SD/SDHC, SD version 2.0 only, Class 10) *SDXC and UHS-I card types are not supported.
	Digital I/O	I/O wires
Operation		
Pan Travel		360° endless
Tilt Travel		0° ~ 180°
Manual Speed		0.5° ~ 460°/s
Calibration		Auto / Manual
Presets	Max. Number	255
	Accuracy	0.2°
Sequence	Max. Number	8
	Max. Presets Allowed	16
Auto Pan		8
Cruise		4
Tour	Max. Number	8
	Max. Number of Preset / Sequence / Auto Pan / Cruise	16
Privacy Mask		8
Proportional Pan & Tilt		Auto (Pan and tilt speed proportional to zoom ratio)
Automatic Function		Preset, Sequence, Auto Pan, Cruise, Tour
Mechanical Flip		On / Off
Digital Slow Shutter		On / Off
Motion Detection		On / Off
Wide Dynamic Range		On / Off
Day/Night: Mechanical IR Cut Filter		On / Off
Picture Flip		On / Off
Image Freeze		On / Off
Digital Noise Reduction		On / Off
Alarm	Input	4
	Output	1
	Reaction	Preset, Sequence, Auto Pan, Cruise, Tour
General		
Operating Temperature		-40°C ~ 50°C (-40°F ~ 122°F)
Heater		Heater 1 On: 5°C (41°F); Off: 8°C (46.4°F) Heater 2 On: -7°C (19.4°F); Off: -2°C (28.4°F)
Fan-On		45°C (113°F)
Humidity		20% ~ 90% (non-condensing)
Dimensions		∅ 220 x 297.75 mm (8.7" x 11.7")
Weight		4.7 kg (10.4 lb)
Power Source		24V AC ± 10%, 3A / 24V DC ± 10%, 3.75A / PoE++ (High Power Over Ethernet)
Power Consumption		60 W (with 30 W heater)
Ingress Protection		IP67
Vandal Resistance		IK10 for metal and polycarbonate casing
Regulatory		CE, FCC, RCM, RoHS
Web Interface		
Installation Management		Web-based configuration
Maintenance		Remote upgrade through Web Browser, IP Device Utility included in the Software CD
Access from Web Browser		Live View, Video Recording, PTZ Control, Preset, Sequence, Cruise, Auto Pan, Tour, Image Quality, Bandwidth Control, Image Snapshot, I/O Control, 2-way Audio, Picture-in-Picture (PIP), Picture-and-Picture (PAP), Text Overlay, Image Masking

Language	Arabic / Bulgarian / Czech / Danish / Dutch / English / Finnish / French / German / Greek / Hebrew / Hungarian / Indonesian / Italian / Japanese / Lithuanian / Norwegian / Persian / Polish / Portuguese / Romanian / Russian / Serbian / Simplified Chinese / Slovakian / Slovenian / Spanish / Swedish / Thai / Traditional Chinese / Turkish
Applications	
Network Storage	GV-NVR, GV-System, GV-Backup Center, GV-Recording Server
Smart Device Access	GV-Eye for iOS and Android
Live Viewing	Browser (IE, Chrome, Firefox, Safari), Mobile Phone
CMS Server support	GV-Control Center, GV-Center V2, GV-VSM
GV-PA901	
Power Source	High Power Over Ethernet (Max. 90 W)
PoE Power Output	DC 56V, 1.6A (Max. 90 W)
Ethernet Cable Length	Max. 100 m (328 ft) from GV-PA901 to IP device, Cat5e cable
Power Input	AC 100V ~ 240V, 2A
Operating Temperature	-10°C ~ 50°C (14°F ~ 122°F)
Dimensions (L x W x H)	69 x 40 x 93 mm (2.72 x 1.57 x 3.66 in)
Weight	250 g (0.55 lb)

Note:

1. Specifications are subject to change without notice.
2. Do not use clothes or any ordinary material to clean the camera cover since they may result in scratches.
3. Mind the following when using an inserted memory card for recording:
 - Recorded data on the memory card can be damaged or lost if the data are accessed while the camera is under physical shock, power interruption, memory card detachment or when the memory card reaches the end of its lifespan. No guarantee is provided for such causes.
 - To avoid power outage, it is highly suggested to apply a battery backup (UPS).
 - For better performance, it is highly suggested to use Micro SD card of MLC NAND flash, Class 10.
 - Replace the memory card when its read/write speed is lower than 6 MB/s or when the memory card is frequently undetected by the camera.





Packing List

- | | |
|-------------------------------------|----------------------------------|
| 1. GV-SD220-S Outdoor IP Speed Dome | 5. Desiccant Pack x 4 |
| 2. Pendant Tube | 6. GV-IP Speed Dome Software DVD |
| 3. Hex Key x 2 | 7. GV-NVR Software DVD |
| 4. M6 Screw x 4 | |

Note: Power adapters can be purchased upon request.

Accessories

Part Number	Name		Details
GV-Mount100	Straight Tube and Junction Box Kit		Dimensions: 200 x 170 x 257.5 mm (7.9" x 6.7" x 10.1") Weight: 3.17 Kg (6.99 lb)
GV-Mount101	Straight Tube Kit		Dimensions: 219 x 125 x 332 mm (8.6" x 4.9" x 13.1") Weight: 1.8 Kg (3.97 lb)
GV-Mount203	Wall Pendant Tube and Junction Box Kit		Dimensions: 315 x 195.5 x 225 mm (12.4" x 7.7" x 8.9") Weight: 2.95 Kg (6.5 lb)
GV-Mount300	Convex Corner Adapter Kit		Dimensions: 238.6 x 409.5 mm (9.4" x 16.1") Weight: 4.27 Kg 9.41 lb)
GV-Mount310	Concave Corner Adapter Kit		Dimensions: 238.6 x 409.5 mm (9.4" x 16.1") Weight: 4.27 Kg (9.41 lb)
GV-Mount400	Pole Mount Bracket Kit (\varnothing 4" ~ 6")		Dimensions Bracket: 241 x 161 mm (9.5" x 6.3") Weight: 1.70 Kg (3.75 lb) Steel Strap: \varnothing 4" ~ 6"
GV-Mount410	Pole Mount Bracket Kit (\varnothing 6" ~ 7.5")		Dimensions Bracket: 241 x 161 mm (9.5" x 6.3") Weight: 1.70 Kg (3.75 lb) Steel Strap: \varnothing 6" ~ 7.5"

Part Number	Name		Details
GV-Mount702	Extension Tube		<p>Four options are available. Dimensions: \varnothing 5.4 x 10 or 20 or 30 or 50 cm (\varnothing 2.1" x 3.9" or 7.9" or 11.8" or 19.7") Weight: 180 g or 390 g or 550 g or 800 g (0.4 lb or 0.86 lb or 1.21lb or 1.76 lb)</p>
GV-Mount908	In-Ceiling Mounting Kit for GV-SD220-S IP Speed Dome		<p>Dimensions Mounting Plate: 227 x 286 mm (8.9" x 11.3")</p> <p>Weight 2.05 Kg (4.5 lb)</p>
GV-PA901	PoE Adapter		<p>The GV-PA901 PoE adapter is designed to provide power and network connection to GV-SD220S over a single Ethernet cable.</p> <p>Dimensions (L x W x H): 69 x 40 x 93 mm / 2.7" x 1.57" x 3.66" Weight: 250 kg / 0.55 lb High Power over Ethernet: Max. 90W</p>
	DC 24V Power Adapter 100-240V AC US		Dimensions (L x W): 132.75 x 58.6 mm (5.23" x 2.3")
	DC 24V Power Adapter 100-240V AC AU		Weight: 0.39 kg (0.86 lb)
	DC 24V Power Adapter 100-240V AC AR		Input: 100 to 240V AC 2.5A 50-60Hz
	DC 24V Power Adapter 100-240V AC EU		Output: 24V DC 3.75 A
	DC 24V Power Adapter 100-240V AC JU		
	DC 24V Power Adapter 100-240V AC UK		