

GV-SD220 (20x / 30x) PoE Indoor Full HD IP Speed Dome



- 1/2.8" progressive scan CMOS sensor
- Full HD 1080p at up to 30 fps and 720p at up to 60 fps
- 20x / 30x optical zoom and 12x digital zoom
- Wide Dynamic Range Pro (WDR Pro)
- Day and night function with IR-cut filter
- 2-way audio
- Built-in micro SD card slot (SD/SDHC) for local storage
- 4 digital inputs, 1 relay output
- DC 24V / AC 24V / PoE+ (IEEE 802.3at)
- Pan 360° endlessly
- Tilt from 0° to 180°
- Preset speed at up to 400° /sec
- PTZ movement (Preset, Sequence, Auto Pan, Cruise and Tour)
- PTZ movements by schedule
- Auto and manual PTZ calibration
- Auto focus
- Backlight Compensation
- Image noise reduction
- Motion detection
- Privacy Mask
- Dual streams from H.264 and MJPEG
- Smart phones & 3GPP support
- 31 languages on Web interface
- ONVIF (Profile S) conformant

* No memory card slot & local storage function for Argentina

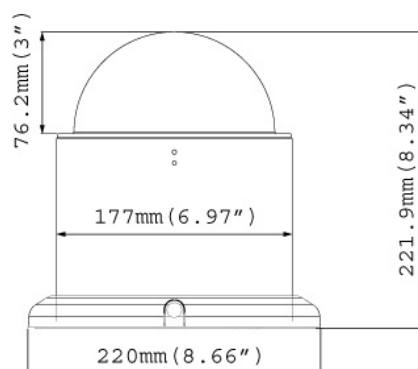
Introduction

The GV-IP Speed Dome (GV-SD220) is a network PTZ camera designed for image quality and adaptability in various environments. This camera offers image of 1080p at 30 fps, 720p at 60 fps and 20x / 30x optical zoom, capable of showing smooth live view with great detail. In low-light environments, image quality is promised with its image processing tools, such as IR-cut filter (ICR), Wide Dynamic Range Pro (WDR Pro), Backlight Compensation and noise reduction.

Wide surveillance coverage is made possible with 360° endless panning and 180° tilting capacity. Dome movements such as Preset, Sequence, Auto Pan, Cruise and Tour can be programmed and activated by schedule. You can create multiple dome movement modes and have different modes enabled at different time slots. The GV-IP Speed Dome provides variable pan/tilt speeds ranging from a fast patrol of 400° per second to a slow ramble of 0.5° per second with 0.2° pan accuracy for fast and accurate tracking ability.

The GV-IP Speed Dome comes with an indoor model, an outdoor model and also optional mounting kits for outdoor installations on wall, ceiling and pole.

Dimensions



Specifications

Camera		
Image Sensor		1/2.8" progressive scan CMOS
Optical Zoom		20x / 30x
Digital Zoom		12x
Picture Elements		1920 (H) x 1080 (V)
Minimum Illumination	Color	0.05 Lux at F/1.6
	B/W	0.005 Lux at F/1.6
Electronic Shutter		1/1 ~ 1/10000 sec.
White Balance		Auto / Manual
Iris Control		Auto / Manual
AGC control		Auto / Manual
S/N Ratio		50 dB (AGC Off)
WDR Pro		Yes (with WDR sensor)
Dynamic Range		Up to 100 dB
Optical Lens		
Megapixel		Yes
Day / Night		Yes (with removable IR-cut filter)
Focal Length	20x	4.7 ~ 94 mm
	30x	4.3 ~ 129 mm
Operation	Focus	Auto / Manual
	Zoom	20x / 30x
	Iris	Auto / Manual
Video		
Video Compression		H.264, MJPEG
Video Streaming		Dual streams
Video Resolution	16:9	1920 x 1080, 1280 x 720, 640 x 360, 448 x 252
Frame Rate		30/25 fps (60/50 Hz) at 1920 x 1080 60/50 fps (60/50 Hz) at 1280 x 720
Audio		
Audio Compression		G.711, AAC (optional)
Audio Support		Two-way Audio
Network		
Interface		10/100M Ethernet
Protocol		DHCP, DynDNS, FTP, HTTP, HTTPS, NTP, ONVIF (Profile S), QoS (DSCP), RTSP, SMTP, SNMP, TCP, UDP, UPnP, 3GPP/ISMA
Mechanical		
Temperature Detector		Yes
Connectors	Power	DC Jack, PoE
	Ethernet	10/100 Base-T, RJ-45 cable
	Audio	1 in (RCA female for microphone); 1 out (RCA female for speaker)
	Local Storage	Micro SD card slot (SD/SDHC, SD version 2.0 only, Class 10) *SDXC and UHS-I card types are not supported.
	Digital I/O	I/O wires
Operation		
Pan Travel		360° endless
Tilt Travel		0° ~ 180°
Manual Speed		0.5° ~ 400°/s
Calibration		Auto / Manual
Presets	Max. Number	255
	Accuracy	0.2°
Sequence	Max. Number	8
	Max. Presets Allowed	16
Auto Pan		8
Cruise		4
Tour	Max. Number	8
	Max. Number of Preset / Sequence / Auto Pan / Cruise	16
Privacy Mask		8
Proportional Pan & Tilt		Auto (Pan and tilt speed proportional to zoom ratio)

Operation		
Automatic Function		Preset, Sequence, Auto Pan, Cruise, Tour
Mechanical Flip		On / Off
Digital Slow Shutter		On / Off
Motion Detection		On / Off
Wide Dynamic Range		On / Off
Day/Night: Mechanical IR Cut Filter		On / Off
Picture Flip		On / Off
Image Freeze		On / Off
Digital Noise Reduction		On / Off
Alarm	Input	4
	Output	1
	Reaction	Preset, Sequence, Auto Pan, Cruise, Tour
General		
Operating Temperature		-10°C ~ 50°C (14°F ~ 122°F)
Fan On		35°C (95°F)
Humidity		20% ~ 90% (non-condensing)
Dimensions		Ø 177 x 221.9 mm (7" x 8.8")
Weight		3.2 Kg (7.1 lb)
Power Source		24V AC ± 10%, 3A / 24V DC ± 10%, 3.75A / PoE+ (IEEE 802.3at)
Power Consumption		30 W
Regulatory		CE, FCC, RCM, RoHS
Power over Ethernet		
PoE Standard		PoE+ (IEEE 802.3at Power over Ethernet / PD)
PoE Power Supply Type		End-Span
PoE Power Output		DC 48V, 1A (Max. 30 W)
Web Interface		
Installation Management		Web-based configuration
Maintenance		Remote upgrade through Web Browser, IP Device Utility included in the Software CD
Access from Web Browser		Live View, Video Recording, PTZ Control, Preset, Sequence, Cruise, Auto Pan, Tour, Image Quality, Bandwidth Control, Image Snapshot, I/O Control, 2-way Audio, Picture-in-Picture (PIP), Picture-and-Picture (PAP), Text Overlay, Image Masking
Language		Arabic / Bulgarian / Czech / Danish / Dutch / English / Finnish / French / German / Greek / Hebrew / Hungarian / Indonesian / Italian / Japanese / Lithuanian / Norwegian / Persian / Polish / Portuguese / Romanian / Russian / Serbian / Simplified Chinese / Slovakian / Slovenian / Spanish / Swedish / Thai / Traditional Chinese / Turkish
Applications		
Network Storage		GV-NVR, GV-System, GV-Backup Center, GV-Recording Server
Smart Device Access		GV-Eye for iOS and Android
Live Viewing		Browser (IE, Chrome, Firefox, Safari), Mobile Phone
CMS Server support		GV-Control Center, GV-Center V2, GV-VSM

Note:

- Specifications are subject to change without notice.
- Do not use clothes or any ordinary material to clean the camera cover since they may result in scratches.
- Mind the following when using an inserted memory card for recording:
 - Recorded data on the memory card can be damaged or lost if the data are accessed while the camera is under physical shock, power interruption, memory card detachment or when the memory card reaches the end of its lifespan. No guarantee is provided for such causes.
 - To avoid power outage, it is highly suggested to apply a battery backup (UPS).
 - For better performance, it is highly suggested to use Micro SD card of MLC NAND flash, Class 10.
 - Replace the memory card when its read/write speed is lower than 6 MB/s or when the memory card is frequently undetected by the camera.

Packing List

- | | |
|----------------------------------|---------------------------------|
| 1. GV-SD220 Indoor IP Speed Dome | 4. GV-IP Speed Dome Software CD |
| 2. Hard Ceiling Cover | 5. GV-NVR Software DVD |
| 3. Mounting Plate | |

Note: Power adapters can be purchased upon request.

Accessories

Part Number	Name	Details
GV-Mount907	In-Ceiling Mounting Kit	 <p>Dimensions: Ø 230 x 153.49 mm (Ø 9.08" x 6.05") Weight: 0.87 kg (1.91 lb)</p>
	DC 24V Power Adapter 100-240V AC US	 <p>Dimensions (L x W): 132.75 x 58.6 mm (5.23" x 2.3") Weight: 0.39 kg (0.86 lb) Input: 100 to 240V AC 2.5A 50-60Hz Output: 24V DC 3.75 A</p>
	DC 24V Power Adapter 100-240V AC AU	
	DC 24V Power Adapter 100-240V AC AR	
	DC 24V PowerAdapter 100-240V AC EU	
	DC 24V Power Adapter 100-240V AC JU	
	DC 24V Power Adapter 100-240V AC UK	