



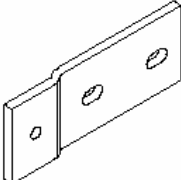







GV-EL124S Electric Strike

Featured with a built-in door status sensor, the GV-EL124S is a fail-secure electric strike, but it is field convertible from fail secure to fail safe. It can be mounted either right or left reversibly on the doorjamb, providing remote release of a locked door.

Packing List

<p>1. GV-EL124S electric strike x 1</p> 	<p>2. Aluminum spacer x 6</p> 
<p>3. Clip nut x 2</p> 	<p>4. Lock washer x 2</p> 
<p>5. Extension plate x 2</p> 	<p>6. Clip x 2</p> 
<p>7. Varistor x 1</p> 	<p>8. M4 screw x 2</p> 
<p>9. #10-32 screw x 2</p> 	<p>10. #8-32 flat-head screw x 2</p> 

Installation

1. Prepare the doorjamb per drawing.

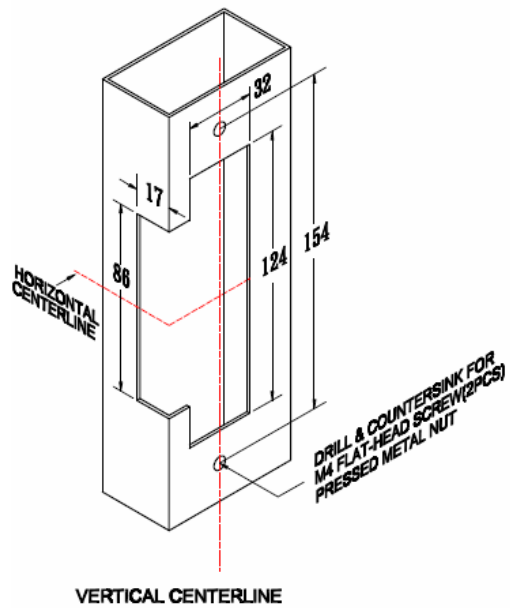


Figure 1

2. Install the mounting brackets to the doorjamb by using the #8-32 x 1/2" flat-head screws and the pressed metal nuts (Figure 2). Do not tighten yet.

3. Spacers are provided to ensure the final assembly of faceplate into the doorjamb. Add one of spacers between the doorjamb and the mounting bracket when faceplate extends beyond the doorjamb. When the faceplate sets inside the jamb, spacers must be added between the mounting bracket and the tip bracket. Make sure the clearance hole in the spacer aligns with the hole in the mounting bracket.

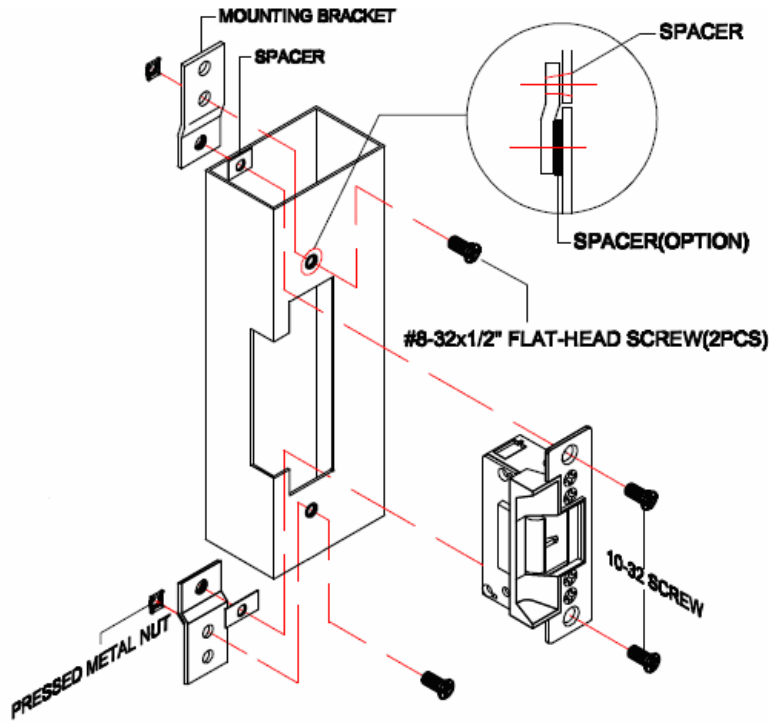


Figure 2

4. Connect the wires from the low voltage side of the transformer to the black wires of the electric strike.

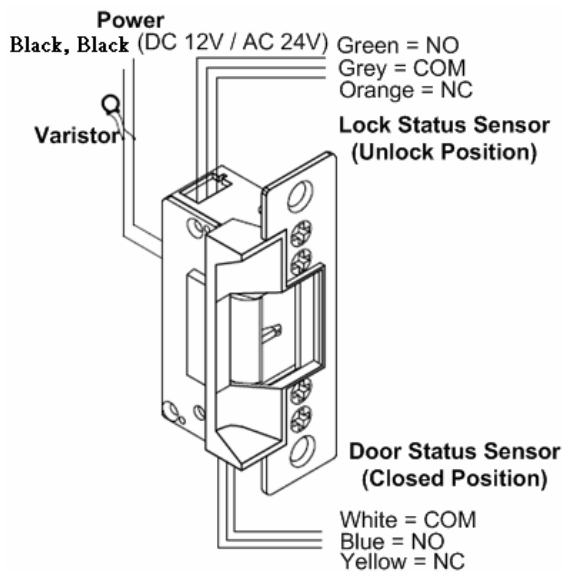


Figure 3

5. Install the electric strike to the doorjamb by using the #10-32 screws and the lock washers (Figure 2).
6. Tighten the #8-32 flat-head screws to hold the mounting brackets to the doorjamb (Figure 2).
7. To prevent strike from spike, connect the Varistor between the input power wires (Figure 3).
8. To modify fail-safe to non fail-safe or vice versa.
 - A. Unscrew the electric strike as illustrated below.
 - B. Reverse the solenoid to the opposite side and then close.

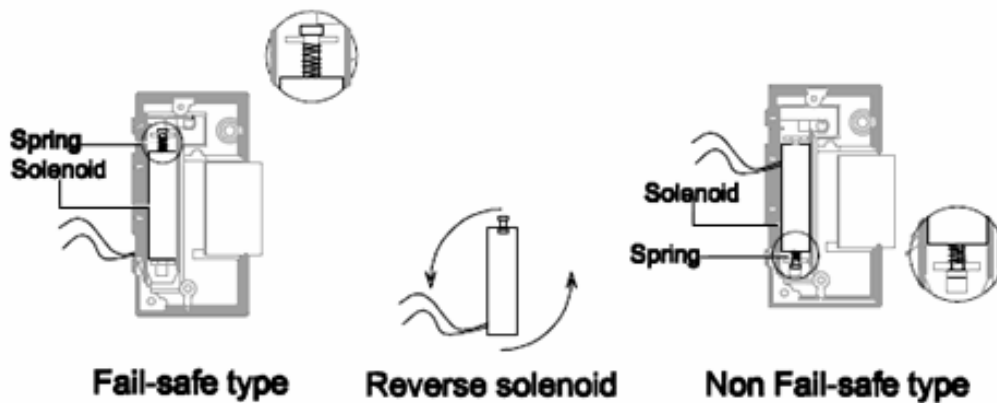


Figure 4

Wire Definition

	Wire	Definition
Electric Bolt	Black	Positive (+) or Ground (-)
	Black	Positive (+) or Ground (-)
Lock Status Sensor	Green	NO
	Grey	COM
	Orange	NC
Door Status Sensor	Blue	NO
	White	COM
	Yellow	NC

Connecting to the GV-AS Controller

To connect the electric strike to the GV-AS Controller, follow the steps below. Here we use the GV-AS400 Controller for example.

1. To connect the power between the electric strike and the GV-AS400, refer to the diagram as below.

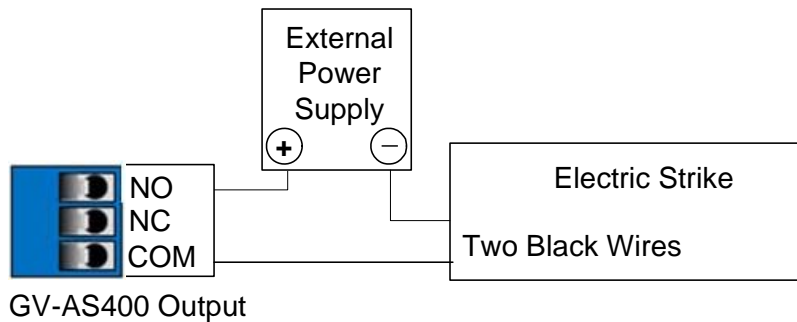


Figure 5

Connect one black wire of the electric strike to **COM** on GV-AS400, connect the other black wire of the electric strike to the (-) point on the external power supply, and connect the (+) point on the external power supply to **NO** on GV-AS400.

2. To connect the sensor to the GV-AS400, connect the **Yellow** wire of the sensor to the **Input** of the GV-AS400, and connect the **White** wire of the sensor to the **Ground** of the GV-AS400.

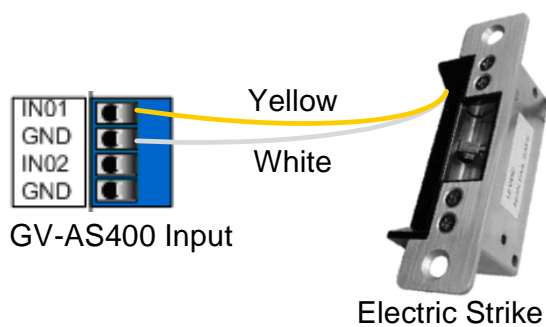


Figure 6

- On the Web interface of the GV-AS400, select **Input Setting**, and select an input type and input function for the connected sensor from the electric strike.

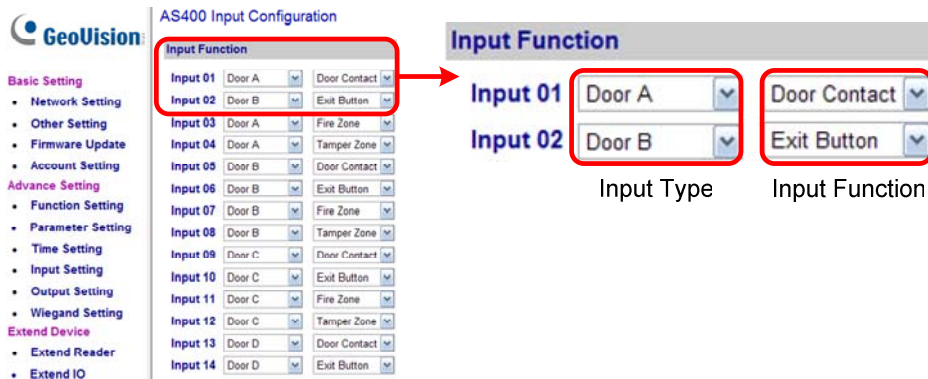


Figure 7

- On the Web interface of the GV-AS400, select **Output Setting**, and select an output type and output function for the connected electric strike.

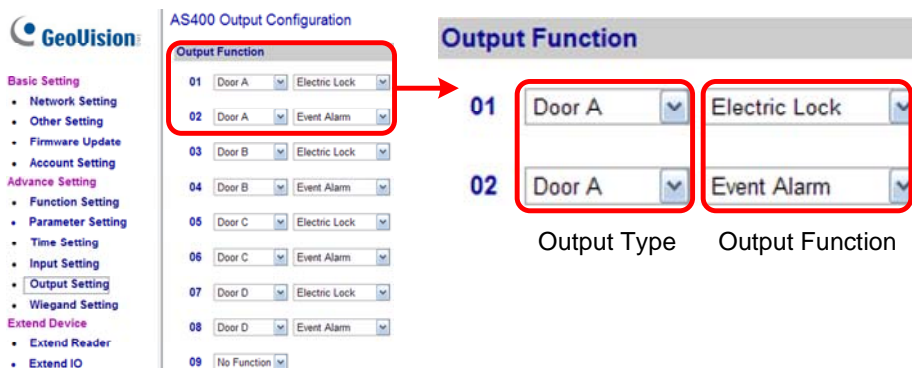


Figure 8

For details on configuring the input and out devices, see [3.4.3.D Input Function](#) and [3.4.3.E Output Function](#) on the GV-AS Controller User's Manual.

Specifications

Voltage	DC 12V (default) or DC 24V
Current	260mA at DC 12V or 150mA at DC 24V
Keeper Depth	12.7 mm (0.50")
Operating Temperature	-20°C ~ 60°C (-4 °F ~ 140 °F)
Dimensions (L x W x H)	123.5 x 31.4 x 40.7 mm (4.86" x 1.24" x 1.60")
Weight	400 g (0.88 lb)
Certification	CE