



Parking Solution Bundle Package

GV-RU9003 High Precision UHF RFID e-Tag Vehicle Management can be seamlessly integrated with any GeoVision DVR, NVR, VMS and IP LPC Camera giving you easy access to both live and recorded videos from any access events.



- Electronic tag compliant with EPC Gen II (ISO18000-6C) standard
- Built-in 27.9dBm RF module and 8dBi gain antenna
- Wiegand interface supported
- Invention patents design to reduce EMI radiation
- Integrated output design for easy installation
- Compliant with NCC/FCC/CE regulations and certified
- IP56 ingress protection
- Dimensions: 228 x 228 x 52.3mm

Hands-free, rolling entry

Long-range access control enables drivers to open doors and parking gates without opening the window or stopping the vehicle.



Fumbling for remote



Lining up for entry



Stopping for ID tag

مدیریت دسترسی



GV-ASManager

**Access management
and monitoring.**



GV-Access

**Mobile viewing.
Remotely open/close
doors or gates.
Bundle Package.**



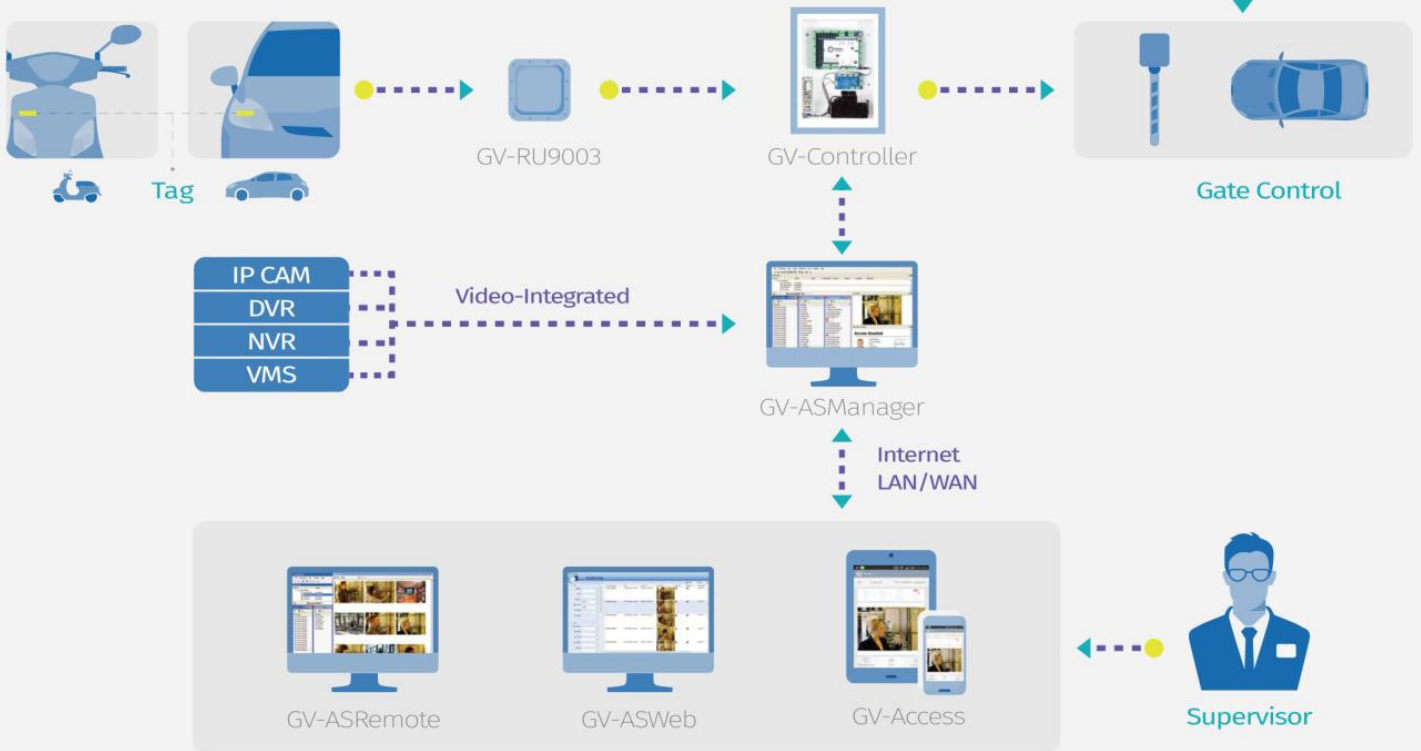
Factory



Community



Office Building

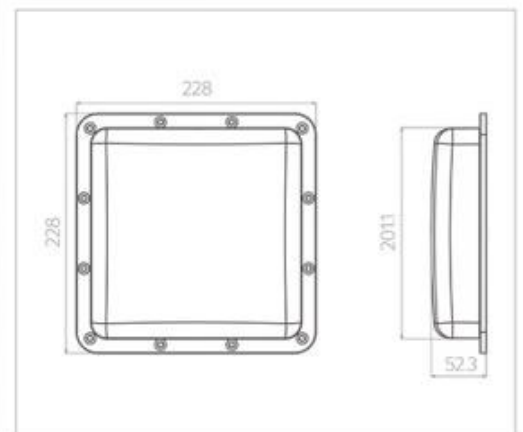


GV-RU9003

Operating Voltage	12V
Antenna Gain	8 dBi
Antenna Connection	50 ohm U.FL
Communication	Wiegand
Operating Frequency	RU9003 TW 922-928 MHz RU9003 US 902-928 MHz RU9003 EU 865-868 MHz
Transmitting Power	27.9 dBm (Adjustable)
Modulation	PR-ASK, ASK
Current Consumption	< 1A
Supported Transponders	EPC Gen II (ISO 18000-6C)
Receiving sensitivity	-85 dBm
Reading range (Avg.)	10M(32.8ft)max
Temperature Range	Operating -20°C to + 55°C, Storage -20°C to + 85°C
Relative Humidity	5-90%
Dimension (L x W x H)	228 x 228 x 52.3 mm
Ingress Protection	IP56



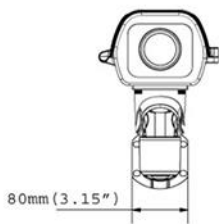
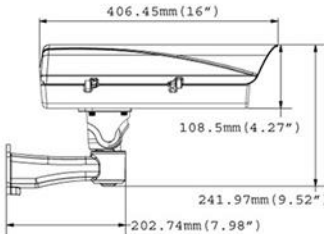
Dimensions





GV-LPC2210 LPC Camera

2MP 2.5x Zoom Super Low Lux Color Network Camera



- Dual streams from MJPEG or H.264
- Up to 30 fps at 1920x1080
- Maximum speed 120 km/h (75 mph)
- Recognition for reflective License Plate only
- Vandal resistance (IK10 for metal casing)
- Ingress protection (IP67)
- Maximum IR distance 20 m (65.6 ft)
- DC 48V / AC 24V (optional) / PoE ++ (120 W)
- Built-in heater and fan
- Support for TV-out
- Two-way audio
- Support for I/O (1 in / 1 out)

GV-ASManager

- Set up parking lots, and notification settings add or delete cards, users controllers, access groups, camera watch live view from connected devices.
- Integrating video from GeoVision IP devices and third-party IP cameras.
- Support for connecting to third-party IP devices using ONVIF, PSIA and RTSP protocols.
- User-defined matrix of -16channel multi-views.
- Click on events to play back recordings immediately.
- Parking lot management to control vehicle access, maximum stay time allowed and number of vehicles allowed.
- GV-accessmobile application to remotely open LPR lanes.

